

Knee Lever Modules

Steel, for Welding

SPECIFICATION

Lever arm steel

- Forged
- Blackened

Parts in sheet metal case-hardened steel
Blackened

Bearing pins and rivets steel
hardened and ground

All moving parts
Lubricated with special grease

INFORMATION

Knee lever modules GN 810.13 have the same properties and attributes as the "Longlife" GN 810.10 (see page) / GN 810.11 (see page) toggle clamps. The clamping arms are die-forged, the remaining steel sheet parts have been reinforced, and bearing pins and rivets are hardened and ground.

These knee lever modules are therefore suitable for applications in which substantial forces occur and in which a long service life is required.

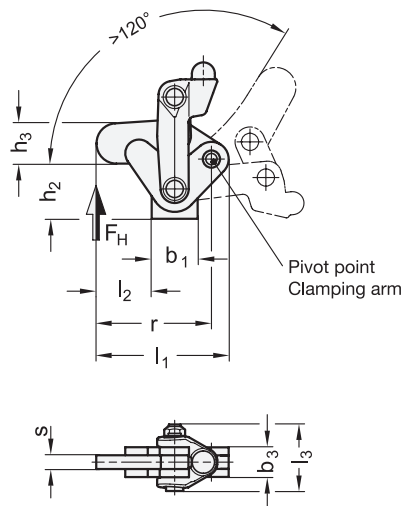
Extensive tests have shown that trouble-free function (under load) is ensured also after one million clamping cycles.

These knee lever modules permit the size and position of the lever and clamping arms to be adjusted to match the specific application. The actual module is welded on.

- General information for toggle clamps (see page 1560)

ACCESSORY

- Handles, Lever Arms, Clamping Arm Extenders, Bushings, Base Plates (see page)



GN 810.13

Description	Size	F_H in N	b_1	b_2	b_3	h_1	h_2	h_3	l_1	l_2	l_3	r	s	
GN 810.13-220	220	2200	20	6	13	68	24	17.5	57.5	24	29	50	6	268
GN 810.13-440	440	4400	30	10	20	113	42	28	85.5	32	42.5	73	10	820
GN 810.13-850	850	8500	50	12	24	148	57	35	115	40.5	52	99	12	1620
GN 810.13-1540	1540	15400	60	16	32	183	66.5	40.5	147.5	55.5	68	127.5	16	3420